

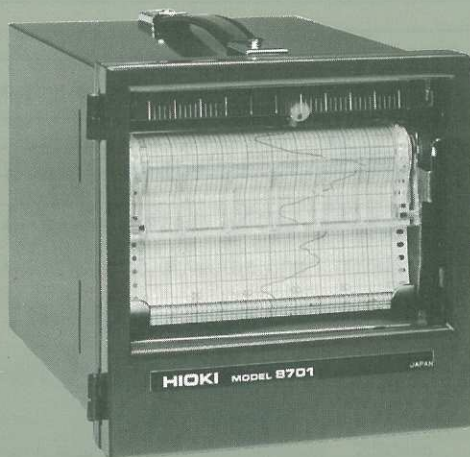
HIOKI

RECORDER

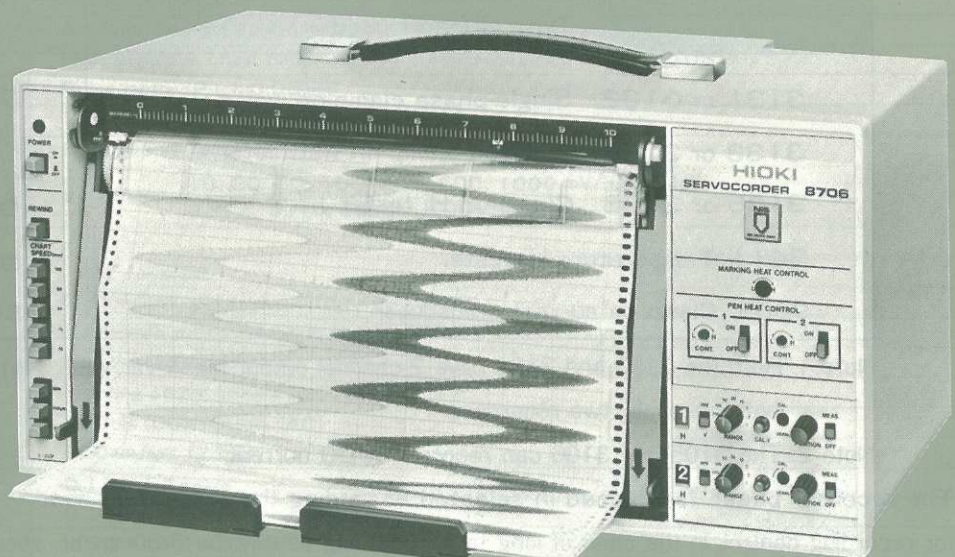
8701
8705
8706

8701..... Especially used with particular types of instruments and as a recorder to replace meters

8705 (1ch) • **8706** (2ch)..... Used as a multi-purpose, precise recording system



8701



8705 • 8706
Picture Model 8706

8701

Special purpose type recorder to 3130 series clamp-on wattmeters and 3411 temperature gauges

■ Specifications

Type	Desk top
Writing span	100mm
Writing system	Disposable ink cartridge (fiber pen)
Input mode	Floating
Servo system	DC servo
Max. input voltage	500V DC
Input resistance	1M Ω
Sensitivity	max. 1 mV/full scale
Zero set	Adjustable within full scale
Pen speed	0.6 sec./f.s.
Resolution	0.2%/f.s.
Linearity	$\pm 0.3\%$ /f.s.
Chart speeds	2 speed for 1-5mm/sec. 1-5mm/min. 6-30mm/min. 6-30mm/hr.
Chart paper	Z fold type (9078 (10m))
Pen-up	Manual
Operating temperature	-5°C~40°C
Dimensions in mm	Approx. 144H x 144W x 202D
Weight	Approx. 3.5kg
Power supply	100, 110, 200, 220, 230, 240V $\pm 10\%$ 50/60Hz
Power consumption	Approx. 7.5VA

■ When ordering

Kindly specify the required measuring range, recording paper feed speed and power voltage and frequency.

● Measuring ranges

Type of meter used	Measuring range
3131 or 3132 Single-phase clamp-on wattmeter	DC 1V/full scale
3133 or 3134 3-phase clamp-on wattmeter	DC 2V/full scale
3105 or 3106 Clamp-on Hi tester	DC 0.5V/full scale
3411 Temperature Hi tester	DC 0.1V/full scale
9005 Clamp on current transducer	DC 0.25V/full scale

Note 1: Both the 3133 and 3134 have 2-channel output for W-var, etc. and in order to record both channels, two recorders.

Note 2: The 3105 and 3106 can record only DC current.

● The recorder paper feed speed is selected according to the purpose in mind.

for recording control, in the case of long term recording usually the 6-30mm/hr. speed is the most suitable and others include 1-5mm/sec., 6-30mm/min. and 1-5mm/min.

● Kindly specify the power voltage and frequency used.

Revolutionary inkless writing system of IC pen (hot stylus)

■ Neo inkless type

- New writing system of IC pen (hot stylus) and heat sensitive chart paper.

IC pen (hot stylus)	{ Power consumption	0.1 ~ 2W
	{ Pen response	3 ~ 10ms
	{ Recording life	500km

Heat sensitive chart paper heat reaction

- No ink problems.
- Improved recording performance and clear recording.

■ Small size and lightweight

- Applied DC servo-system, extensively utilized ICs, stepper motor for chart drive.

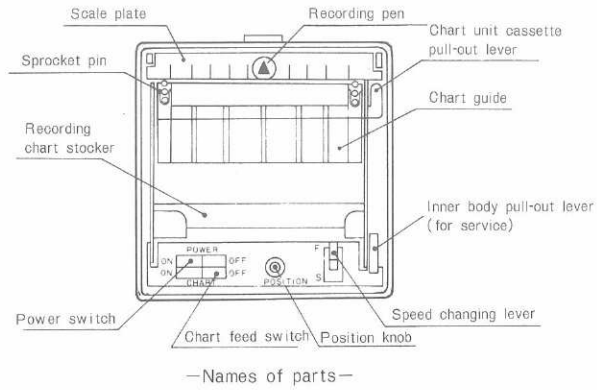
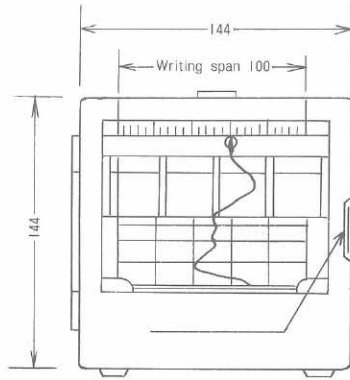
■ Stepper motor for chart drive

- The chart speed can be instantly switched electronically by pulse number modulation.
- Available to drive the chart through an external pulse signal and to synchronize the chart speed of your process line, number of revolutions and others.

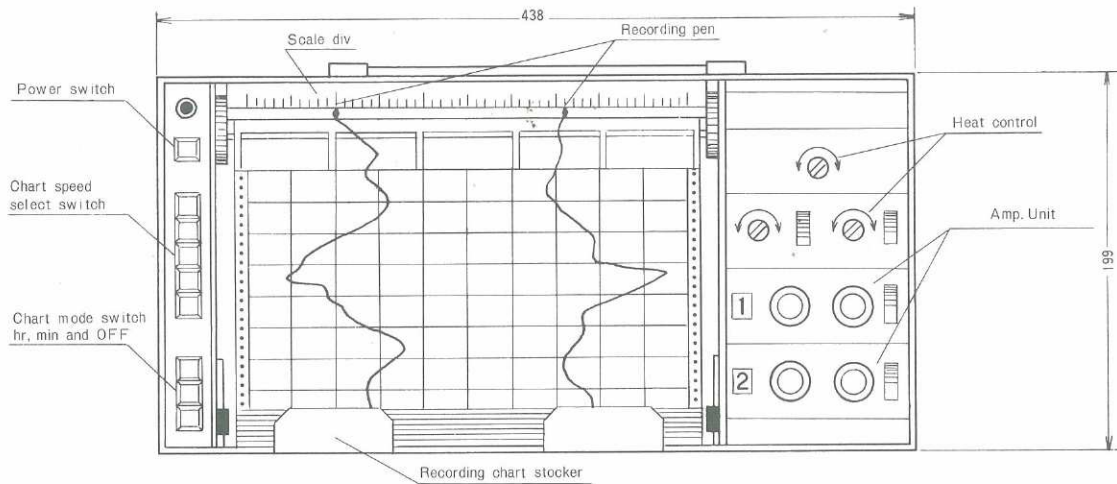
Models	8075 (1 ch)	8076 (2 ch)
Type	Desk top	
Writing span	250mm	
Writing system	Hot stylus (IC pen)	
Color-shade on chart paper	Available by heat controller	
Chart paper	Heat sensitive chart paper Z-fold <1 Pen:PZ105B, 2Pen:PZ105T>	
Chart drive	Pulse motor (Pitch:0.05mm)	
Chart speed	7.5, 15, 30, 60, 120mm/min & Hr and ext	
Circuit system	DC servo system	
Measuring ranges	14 ranges 10, 20, 50, 100, 200, 500, 1000 mV/full scale & 1, 2, 5, 10, 20, 50, 100V/full scale	
Range accuracy	±0.3%	
Input impedance	1MΩ constant	
Span vernier	Continuously adjustable within each range	
Zero setting	Adjustable within full scale range	
Calibration voltage	Half the voltage of range value	
Input mode	Floating above ground (with guard shield)	
Common mode rejection ratio	150dB (DC) 130dB (AC)	
Max. pen response speed	100cm/sec (2.5G)	
Linearity	0.15% full scale	
Resolution	0.1% full scale	
Operating temperatures	-5°C~45°C 30~85% RH	
Power supply	AC100, 115, 200, 220, 240V 50/60Hz	
Power consumption	(1 ch) 18VA (AVE) 25VA (MAX)	(2 ch) 25VA (AVE) 50VA (MAX)

■ Dimensional diagram

● 8701



● 8705 and 8706



■ Accessories

● 8701

- 9077 Recording pen (Red×1pce.)
- 9078 Recording chart (10m×1book)
- 0.5A Spare fuse 1pce.

● 8705

- PZ-105B Recording chart (15m×1book)
- Input line (3P plug 2m) 1pce.
- Vinyl cover 1pce.
- Screwdriver (3mm) ⊕, ⊖ each 1pce.
- 1A Fuse 1pce.
- AC power cord 1pce.
- Remote connector 1pce.

● 8706

- PZ105T Recording chart (15m×1book)
- Input line (3P plug 2m) 2pcs.
- Vinyl cover 1pce.
- Screwdriver (3mm) ⊕, ⊖ each 1pce.
- 1A Fuse 1pce.
- AC power cord 1pce.
- Remote connector 1pce.

HIOKI

HIOKI E.E. CORPORATION

MAIN OFFICE, SALES AND MARKETING INTERNATIONAL DEPARTMENT
 6249 SAKAKI-MACHI, HANISHINA-GUN, NAGANO, JAPAN
 OVERSEAS TELEX: 03327-508 TELEPHONE NO.: 02688-2-3030-5,
 BRANCHES
 TOKYO, OSAKA, NAGOYA, FUKUOKA,
 HIOKI NEW YORK CORPORATION
 42-16 235TH STREET, DOUGLSTON, NEW YORK 11363.
 TELEPHONE NO.: 212-224-2404 TELEX NO.: 425539